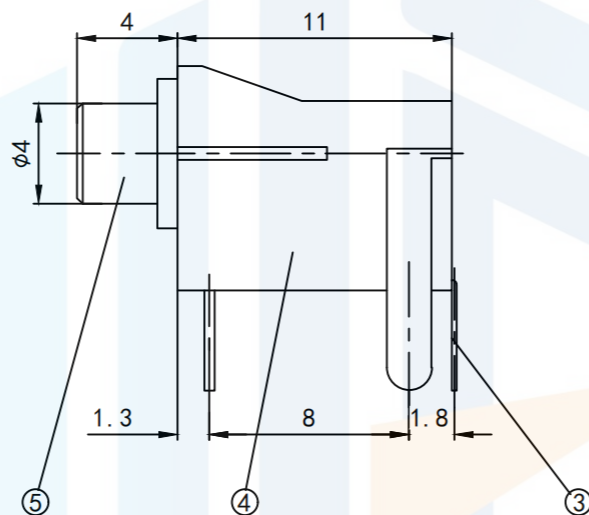
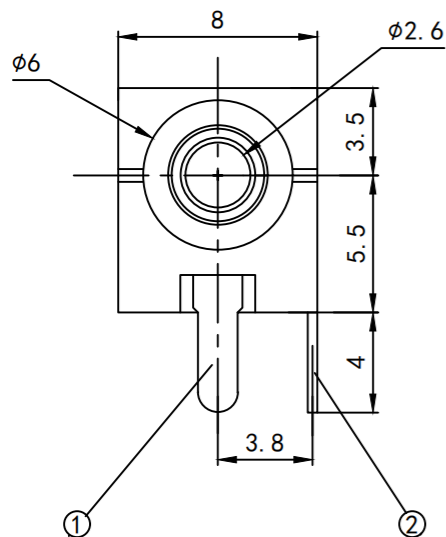
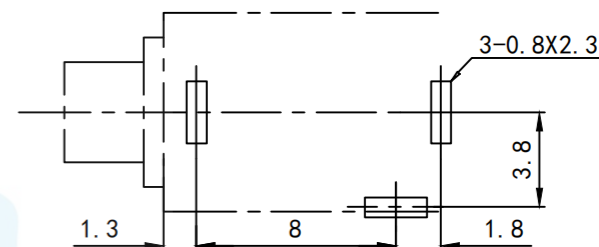


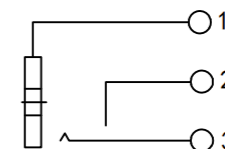
RoHS2.0
Compliant



印刷电路板开孔尺寸



按点示意图



Technical requirement

1. Rated electrical load: 30V.0.2A
2. Contact resistance: $\leq 0.03\Omega$
3. Insulation resistance: $\geq 100M\Omega$
4. Withstand voltage: AC250V(50HZ)/min
5. Insertion and withdrawal force: 3-10N
6. Life: 5000 times

Main technical requirements

1. No linear tolerance is specified
 0.0-10.0mm ± 0.10 mm
 10-20mm ± 0.15 mm
 20-50mm ± 0.20 mm
2. Appearance should be good, no corrosion, cracks, poor plating and other phenomena

TOLERANCE			东莞市恒祺电子科技有限公司 Dongguan Hengqi Electronic Technology Co., Ltd		
X. XXX	± 0.05		https://www.hq-dz.com		phone:15812872448
X. XX	± 0.15	TITLE: 耳机插座		PART NO: PJ-202	
X. X	± 0.20			DRAWING NO: 14*8*9	
X.	± 0.30	DRAWN:	DATE:	18-10-08	UNIT: mm
ANGLE	$\pm 5.0^\circ$	CHECKED:	DATE:	18-10-08	SCALE: FULL
PROTECTON		APPROVED:	DATE:	18-10-08	SIZE: A4